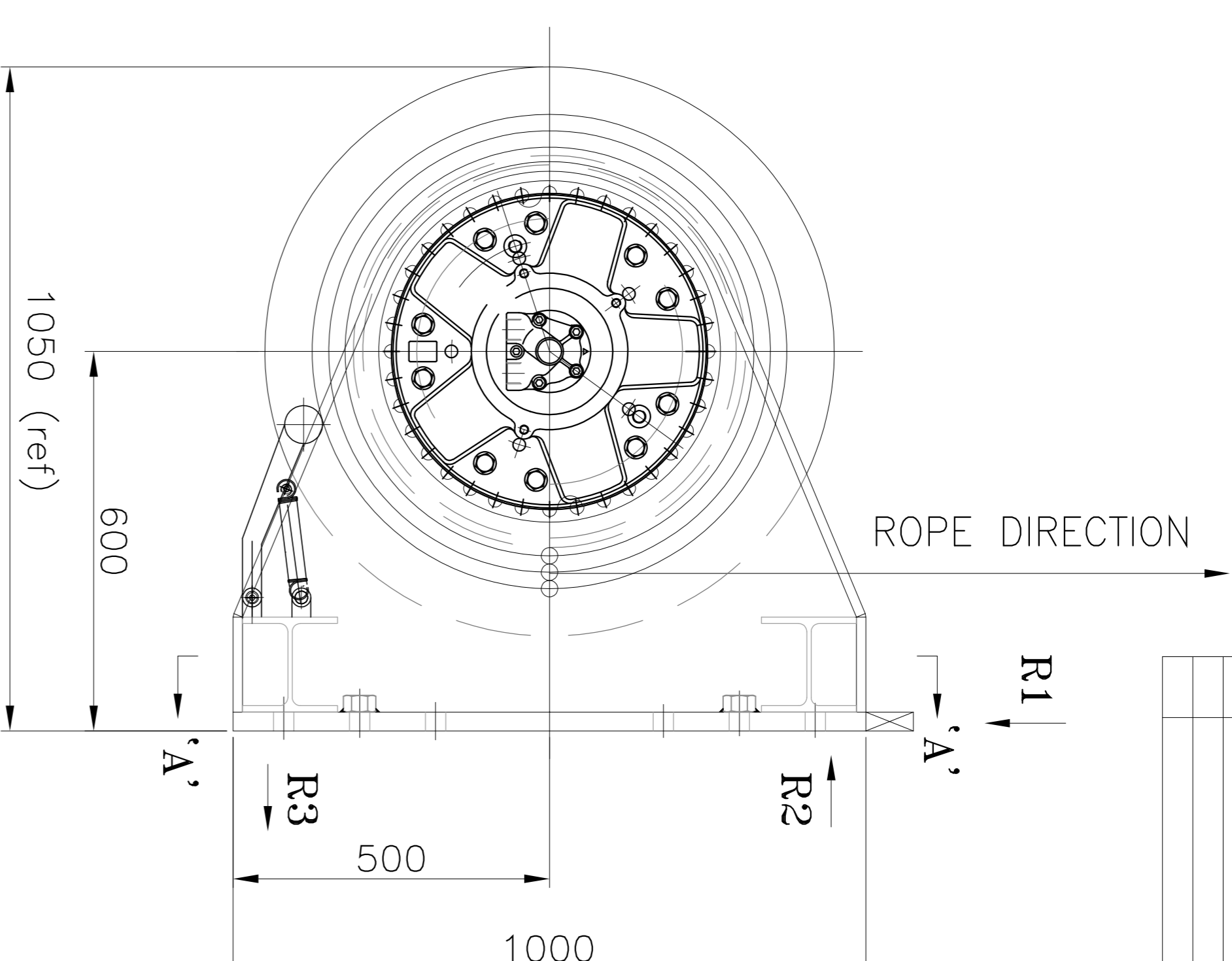
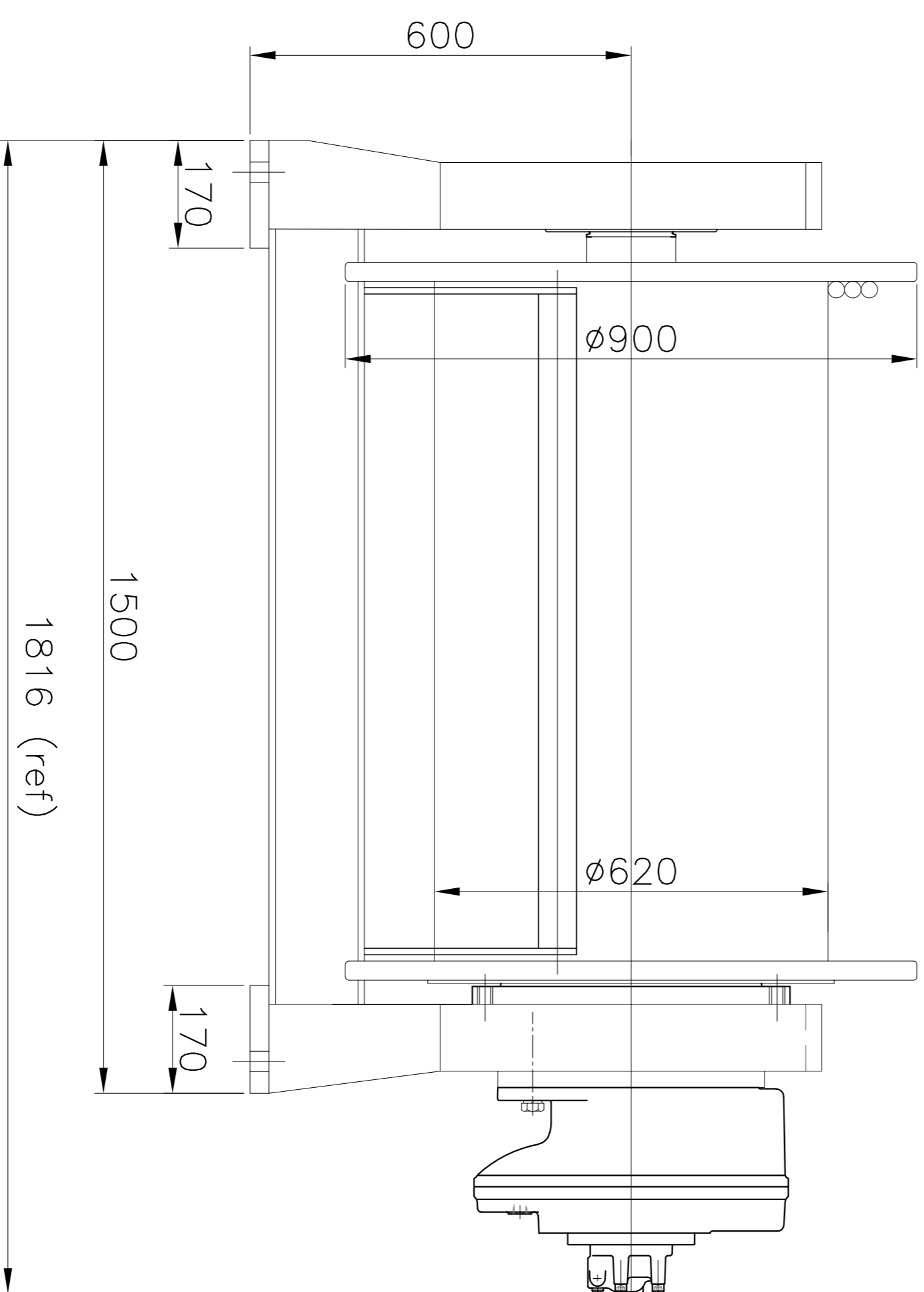
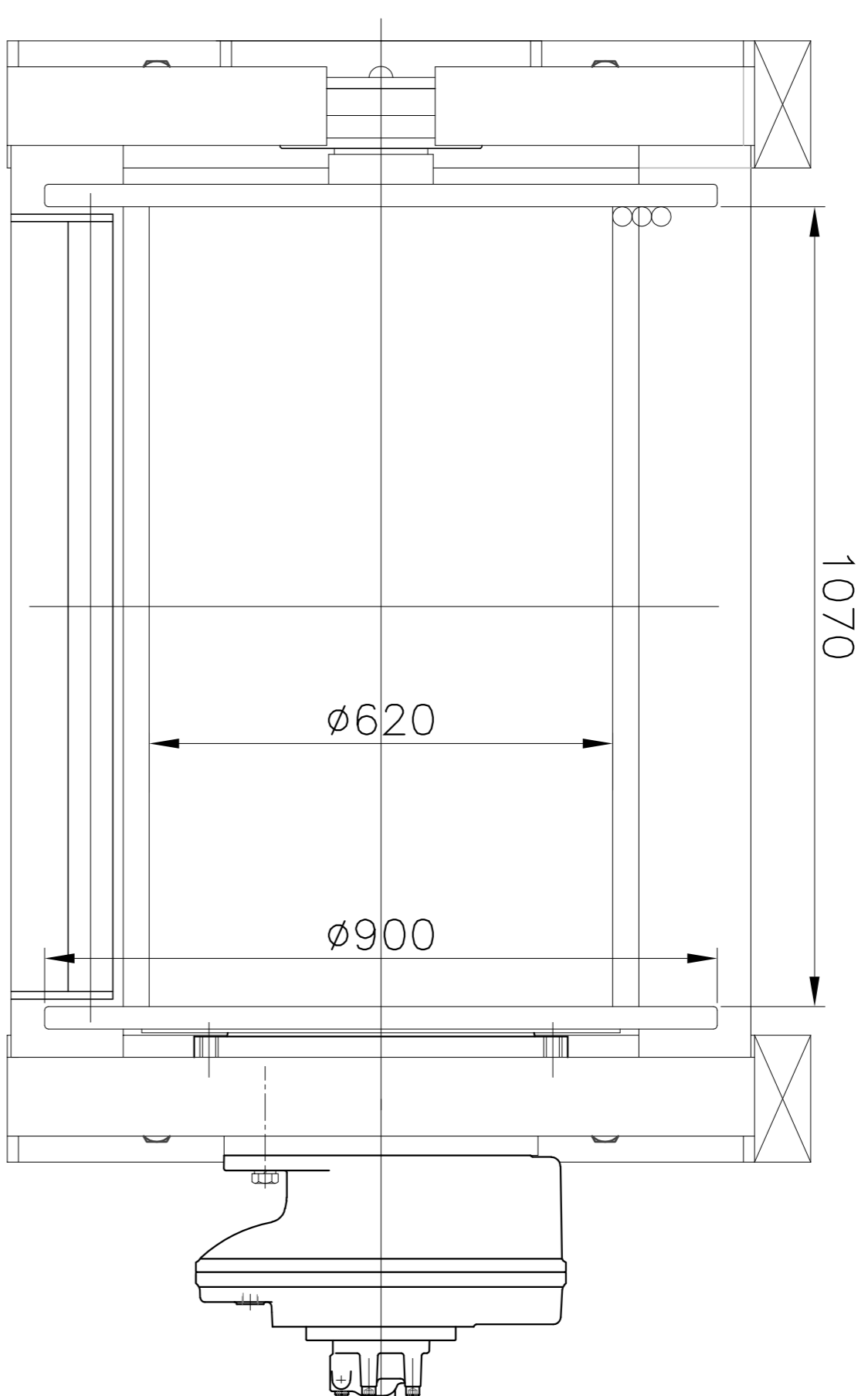


REVISION HISTORY		
REV	DESCRIPTION	DATE INIT.



SPECIFICATION

- DRUM CAPACITY : 250m x ϕ 26mm (SWR, 3 LAYERS)
- RATED PULL : 20t x 0~7m/min (1st LAYER)
- BRAKE : HYDRAULIC OPERATED DISC BRAKE.
- BRAKE HOLDING : 25t (STATIC, 1st LAYER)
- CONTROL : LOCAL CONTROL

NOTES:

HYDAC INTERNATIONAL

CRADLE DOWN HANDLING WINCH
GENERAL ARRANGEMENT
MODEL: CDHW-SD-20-25

SCALE: N.T.S.

DATE: 26-01-18

3000

PROJECT	J4.34.4/17	DOCUMENT	4.34.4 GEN 06-00000
SHEET	A1	REV.	B

BASIC HYDRAULICS

PROVISIONAL

DATE: 26-01-18

APPROVED: AV

DRAWN: JH

SCALE: N.T.S.

PROJECT: J4.34.4/17

PRODUCT: BASIC